



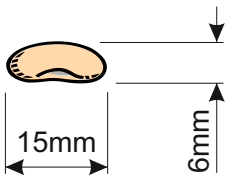
- **Electro-mechanical Operation**
- **Galvanised Steel Structure**
- **Bottom of Load Detection**
- **Accurate and Reliable**
- **Low Maintenance**

Automatic Function:

No

Ideal for Sampling:

- ✓ Cereals
- ✓ Small Grains



The **CS30** truck probe is our most basic sampler, which has limited features for simple operation.

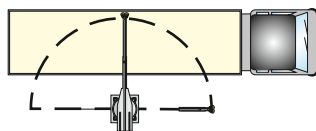
The complete range of Samplex Bulk Samplers are manufactured **exclusively** in the UK by TekPro Ltd, using durable materials, and are electro-mechanical, eliminating high pressure hydraulic hoses.

The 340° rotation allows for a number of samples to easily be taken from different parts of a load.

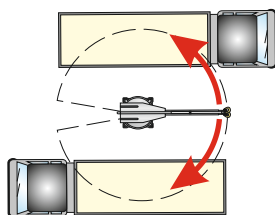
Samples are taken under gravity and carried to a transparent reception chamber that can hold approximately 6.5kg of grain.

Sample Radius

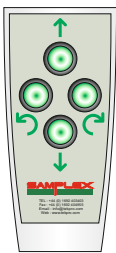
Arm Fixed Between 3m - 4m



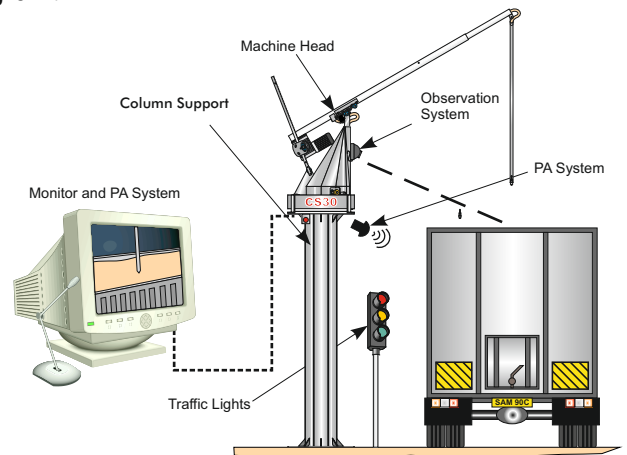
Single Lane Sample Area



Dual Lane Operation



Joystick Control Unit

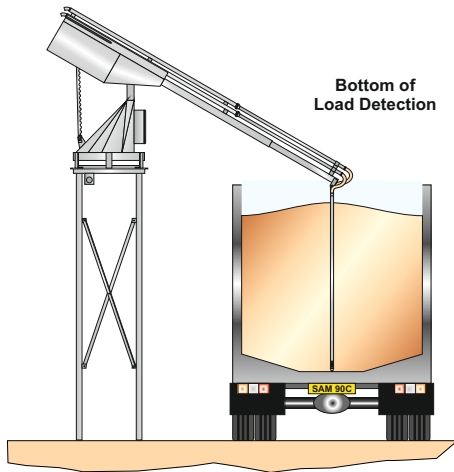


The system can also be customised to suit a site's requirements, which may include the addition of an observation system, traffic lights, column support, PA system, or dual lane control.



Samplex is one of the leading brands on the truck probe market, and has been for over 30 years. The samplers are robust, reliable, and provide a truly representative sample of a bulk load.

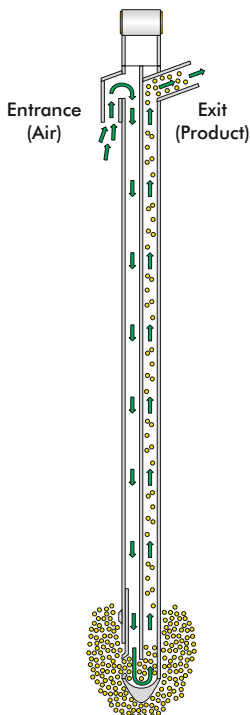
- Electro-mechanical**
- Bottom of Load Detection**
- Gravity Fed Spear**
- Galvanised Steel**
- Clear Reception Chamber**
- Adjustable Aperture**



Truly Representative Sample of the Entire Load

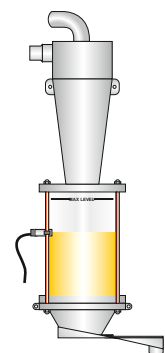
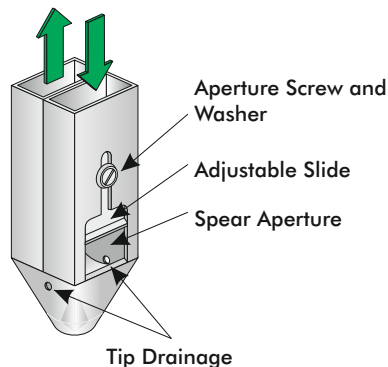
The Samplex range of Bulk Samplers are accurate, reliable, and highly adaptable. Installation is possible almost anywhere, and they eliminate the traditional health and safety risks associated with manual sampling processes.

The easy to maintain, mechanical system has been designed and developed to ensure that there is no risk of contamination and the design of the system and support structure ensures that any damage, from vehicle collision or vehicle movement whilst sampling is in progress, is minimised.



Patented Surespear

- ♦ Gravity fed sampling offers a truly representative sample of a wide range of free-flowing products.
- ♦ Consistent, repeatable sample volumes are achievable as the Surespear takes the sample while descending and ascending through the load.
- ♦ The unique adjustable tip aperture allows sample volumes to be easily adjusted to suit sample requirements, reducing time and waste.



Sample Reception Chamber

- ♦ Cyclonic Action
- ♦ Captures Dust
 - ♦ Transparent
- ♦ 6.5kg Grain Capacity
- ♦ Option for Level Detection Sensor or Automatic Release